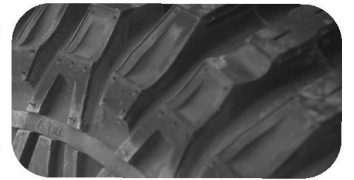
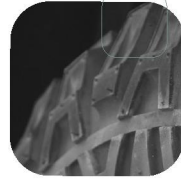
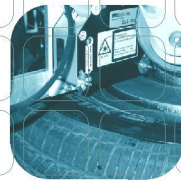


Selcom™

**SENSORS
THAT SEE™**



EyeCon-1x00

RUBBER EXTRUSION MEASUREMENT SENSORS

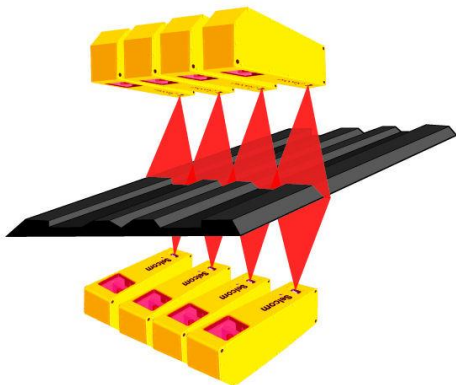
Large field of view and high resolution sensors are calibrated to one common coordinate system to support any number of sensors and measure any shape of extrusion.

The Selcom™ EyeCon-1x00 product defines a new level of flexibility and ease of integration for OEM system solutions aimed at measurement and control of extrusions in the tire material preparation area.

**FAST INTEGRATION - SIMPLE SET UP
CALIBRATION TO COMMON COORDINATES
NETWORKED SOLUTION, COMPACT SIZE**

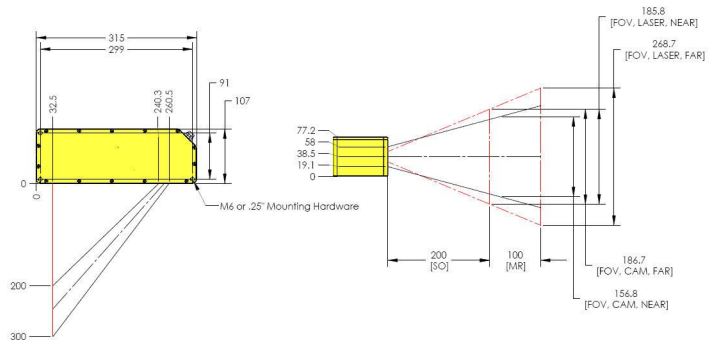
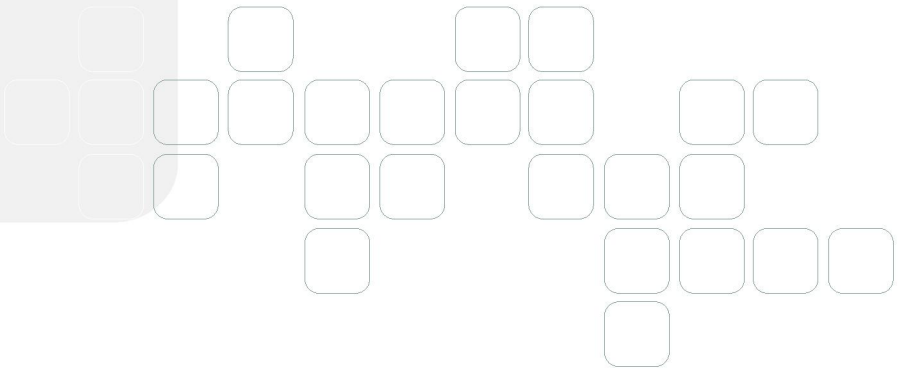


Differential or Referenced Measurement



- **FAST AND SIMPLE INTEGRATION:** Sample set up and visualization application included. Sample communication C-code for control and data handling. You are up and running in 30 minutes.
- **SYSTEM CALIBRATION SUPPORT:** Tailor sensor configuration to the application needs and have data delivered in one unified coordinate system.
- **NETWORKED SOLUTION:** Integrate the EyeCon system to your application using industry standard TCP/IP communication.
- **SCALABLE PLATFORM:** Built on LMI's FireSync™ platform; a proven set of software, hardware and integration tools that improve performance, ensuring data integrity and simplifies integration.

Selcom™
**SENSORS
THAT SEE.**



www.LMItechnologies.com



Selcom™ vision sensors are designed for rubber extrusion measurement in the tire material preparation area. Since 1980, tens of thousands of Sensors that See™ products have been employed worldwide in diverse commercial and industrial automated applications.

© 2006 LMI Technologies. All rights reserved. Selcom™, EyeCon™ and EyeCon-XXXX™, are registered trademarks of LMI Technologies Inc. Information contained in this brochure is subject to change without notice.

<RubberandTire_DataSheet_EyeCon-1x00_v0.pdf>